

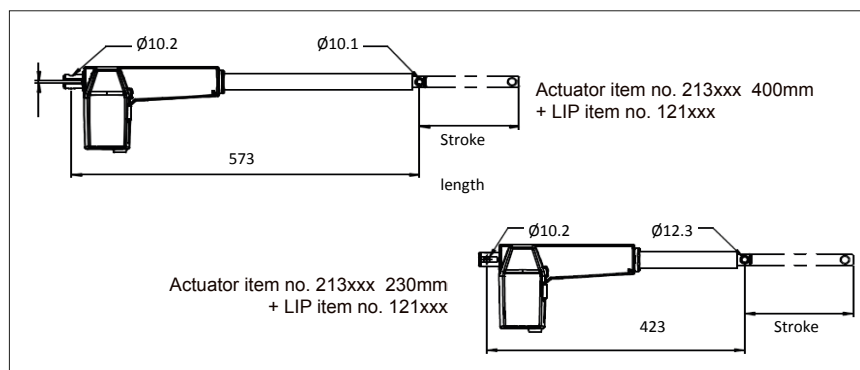
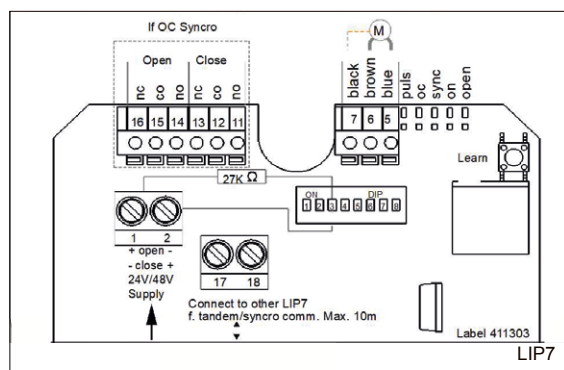


Electrical Opening System - SA Basic Set

24/36/48VDC Intelligent LIP + High Performance Actuator



Electrical Opening System SA Basic Set



INTELLIGENT ELECTRONIC UNIT

The SA Basic set consist of an electrical high performance actuator and an Intelligent Overload unit (LIP). The LIP is a separate intelligent electronic unit, mounted in a small junction box to be connected between the actuator and the supply (24/36/48VDC).

The LIP is needed in any application to avoid damage of the actuator and to get full benefit of the intelligent features (overload unit and current limiter in the same unit).

Model	Power supply VDC / Max. A			Push force (Max. N)	Pull force (Max. N)	Self -locking (Min. N)	Temperature	Stroke length (mm)	LIP Setting DIP Set 1-2
SA Basic Set – 7000N (Akuator+LIP7 BA) # 213206	24VDC	36VDC	48VDC	7000	4000	2000	-5°C - +55°C (+75°C)*	Max. 400 Std. 400	OFF – ON
	4A	3A	2A						
SA Basic Set – 7000N (Akuator+LIP7 TA) # 213207	24VDC	36VDC	48VDC	7000	4000	2000	-5°C - +55°C (+75°C)*	Max. 400 Std. 400	OFF – ON
	4A	3A	2A						
SA Basic Set – 7000N (Akuator+LIP7 BA) # 213208	24VDC	36VDC	48VDC	7000	4000	2000	-5°C - +55°C (+75°C)*	Max. 330 Std. 330	ON – OFF
	3A	2,3A	1,5A						
SA Basic Set – 7000N (Akuator+LIP7 TA) # 213209	24VDC	36VDC	48VDC	7000	4000	2000	-5°C - +55°C (+75°C)*	Max. 330 Std. 330	ON – OFF
	3A	2,3A	1,5A						
SA Basic Set – 7000N (Akuator+LIP7 BA) # 213211	24VDC	36VDC	48VDC	7000	4000	4000	-5°C - +55°C (+75°C)*	Max. 230 Std. 230	ON – ON
	2,5A	1,9A	1,25A						
SA Basic Set – 7000N (Akuator+LIP7 TA) # 213212	24VDC	36VDC	48VDC	7000	4000	4000	-5°C - +55°C (+75°C)*	Max. 230 Std. 230	ON – ON
	2,5A	1,9A	1,25A						
SA Basic Set – 1600N (Akuator+LIP7 TA) # 213213	24VDC	36VDC	48VDC	1600	1600	4000	-5°C - +55°C (+75°C)*	Max. 230 Std. 230	ON – OFF
	1,0A	0,75A	0,5A						
SA Basic Set – 1300N (Akuator+LIP7 TA) # 213214	24VDC	36VDC	48VDC	1300	1300	2000	-5°C - +55°C (+75°C)*	Max. 400 Std. 330	OFF – ON
	1,0A	0,75A	0,5A						
SA Basic Set – 2600N (Akuator+LIP7 TA) # 213215	24VDC	36VDC	48VDC	2600	2600	2000	-5°C - +55°C (+75°C)*	Max. 400 Std. 330	ON – ON
	1,5A	1,13A	0,75A						

As option a special "actuator stop kit" can easily be post mounted to reduce the stroke length in any length

*Requires special lubrication

FEATURES

Input voltage: 24/36/48VDC (automatically detected by LIP)

Input current consumption (max. A) - see specification table

Electronic overload protection + mechanical end stop switches

Opening time to full stroke length = max. 60 seconds (for EN12101-2 approval)

Special Actulux 300°C heat solution in the actuator (for EN 12101-2 approval)

Designed for min. 10.000 comfort openings and min. 1.000 fire openings

Degree of protection: IP54 Operation mode: S3 25% duty cycle

Extremely silent operation

"Actuator stop kit" as option for post mounting for free stroke length reduction

No maintenance required